

BROCADUR COPPER ALLOYS FOR WELDING
WIRE MESH AND OTHER WIRE PRODUCTS

BROCADUR COPPER ALLOYS



Brouwer Metaal is specialized in the production of after sales copper spare parts for resistance welding machines.

We produce the following parts for mesh welding machines:

- Copper bars in all shapes.
- Finished electrodes
- Electrode holders, single or assembled.
- Welding wheels
- Laminated shunts
- Air / water cooled cables
- Current bridges
- Transformers
- Welding cylinders

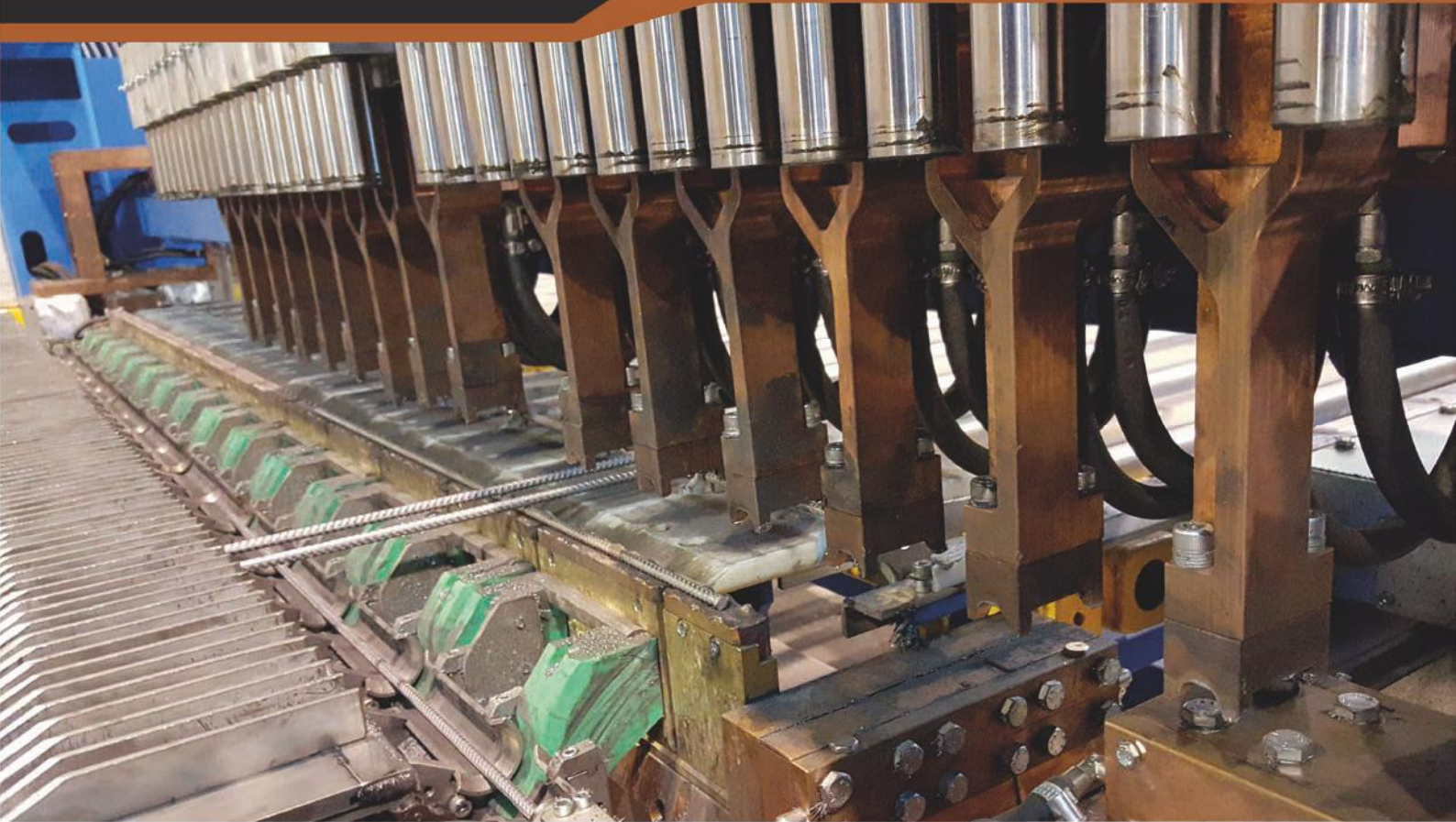




We are able to offer you a complete set of after sales copper spare parts for every brand like:

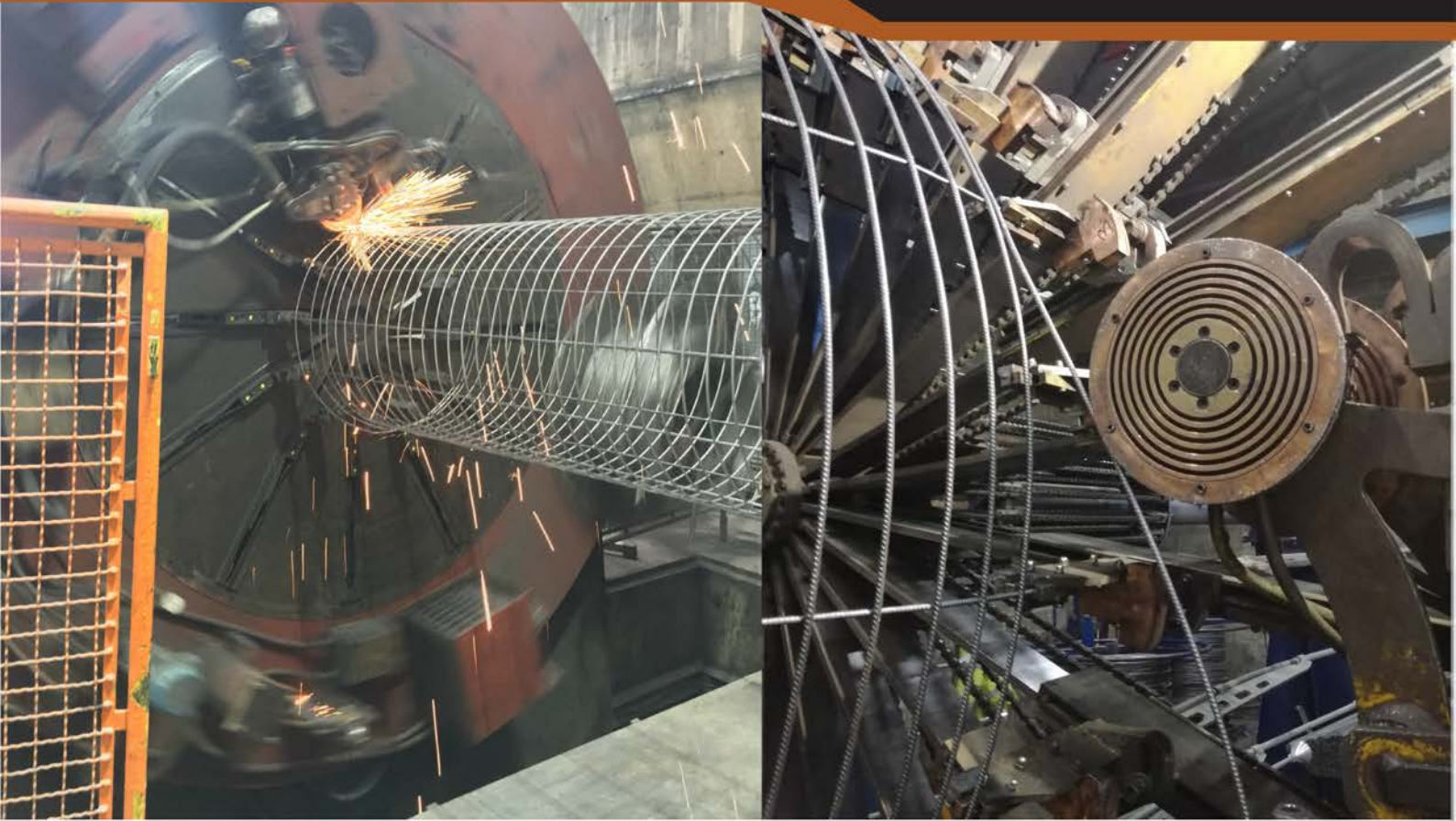
- Schlatter
- EVG
- Ideal
- Jäger
- Clifford
- Filzmoser
- Progress
- MBK
- Apilion
- Pratto
- MEP
- Eurobend
- Eurolls
- AWM



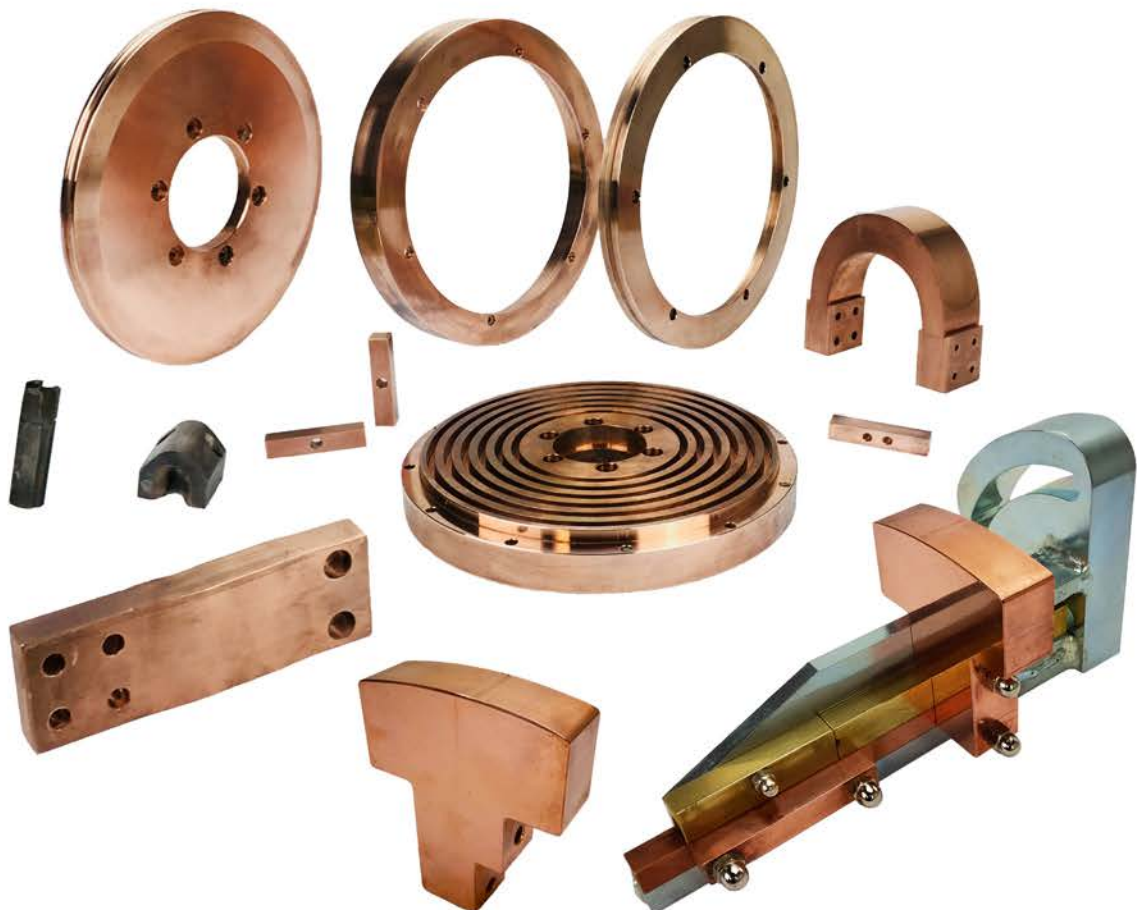


We are able to offer you a complete set of after sales copper spare parts.





We are able to offer you a complete set of after sales copper spare parts.



Various after sales parts

Aside from our main copper products we are also capable of supplying a wide array of other products for example: Welding Transformers, Welding Cylinders, Welding Units, Connection Parts, and Insulation Plates.



Water cooled cables



Side 1:



Side 1:

A

B

C

Side 2:

A

B

C

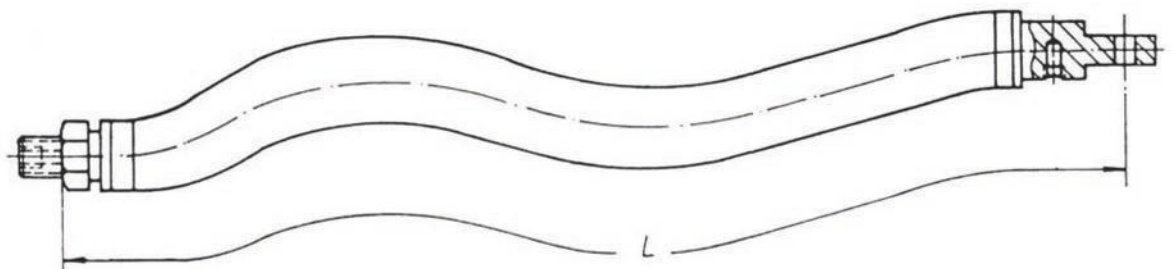
Other terminals can be produced according drawing or sample.

Available cross sections:

Cross section	:	95	100	150	175	200	240	250	300	400	500	600 mm ²
External ø approx. :			32	35	35	38	38	42	44	51		

Cable length:

All Brocadur® water cooled cables will be produced in length to your specifications.



Side 2:

Air cooled cables

Available cross sections:

Cross section	: 300	400	500	600	750	825	975	1000	1200 mm ²
External ø approx.	: 15	19,5	21	24,5	39	42	45	47	47mm

Cable length:

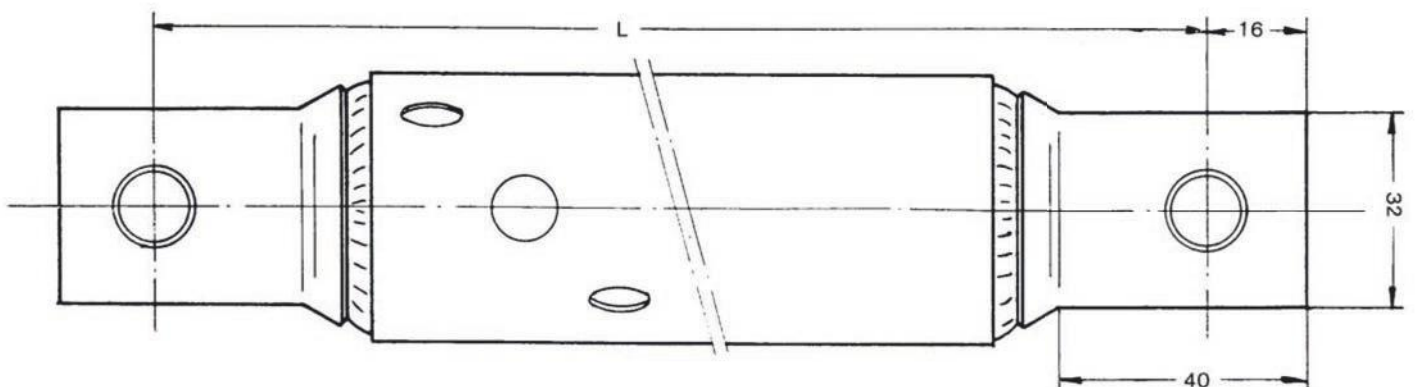
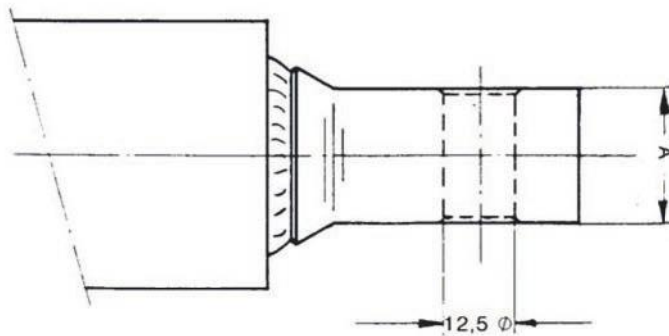
All Brocadur® air cooled cables will be produced in length to your specifications.

Terminals bended:

One or double sides can be bended under 45° or 90° or twisted available on demand.

Protection hose:

Solid or perforated on demand.

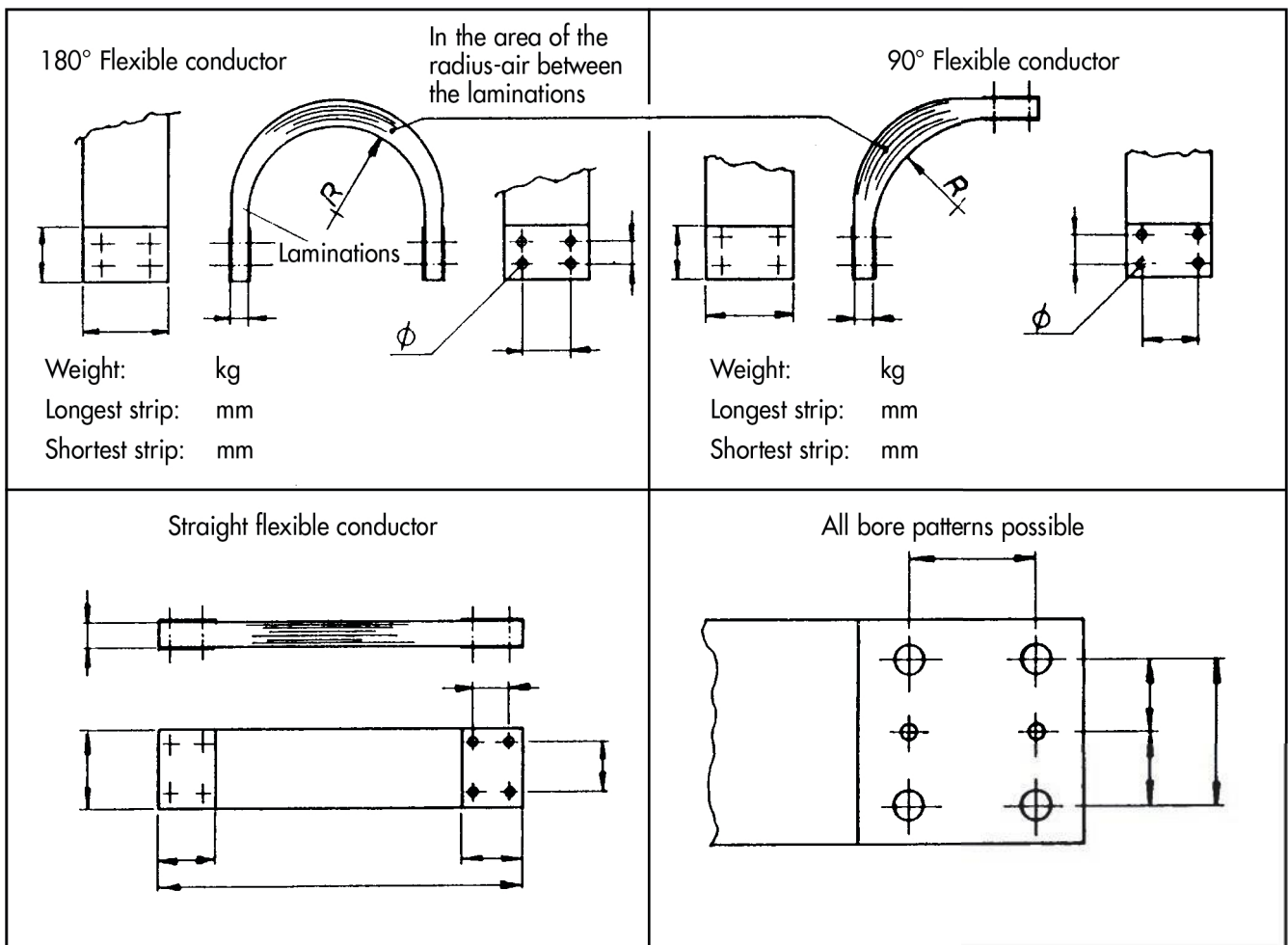


Laminated Shunts

Available in all possible designs and dimensions according to customer drawing

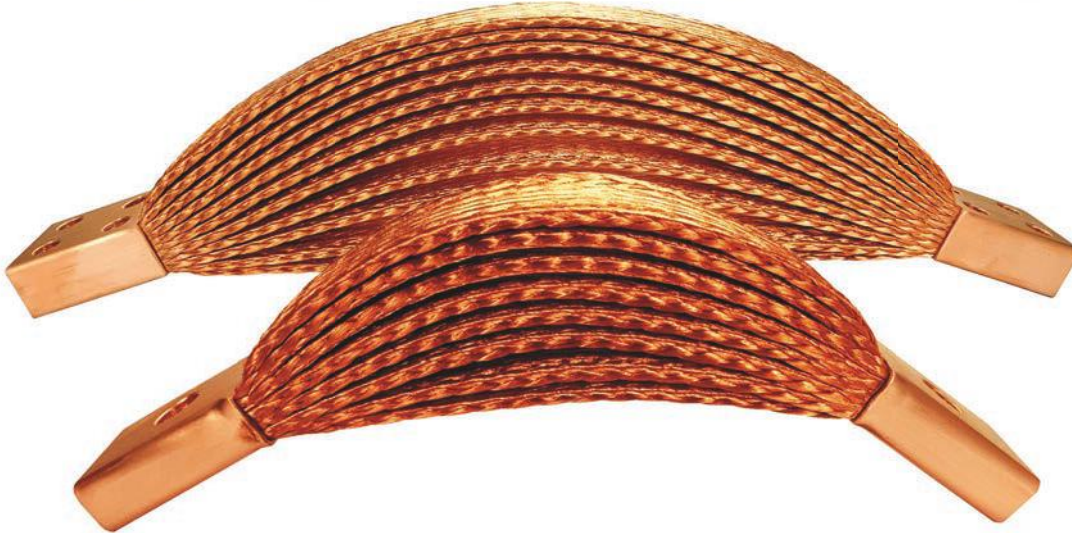


Laminated shunts are available in all kinds of designs and dimensions. In case a drawing or sample is not available, The below mentioned dimensions can be filled in.

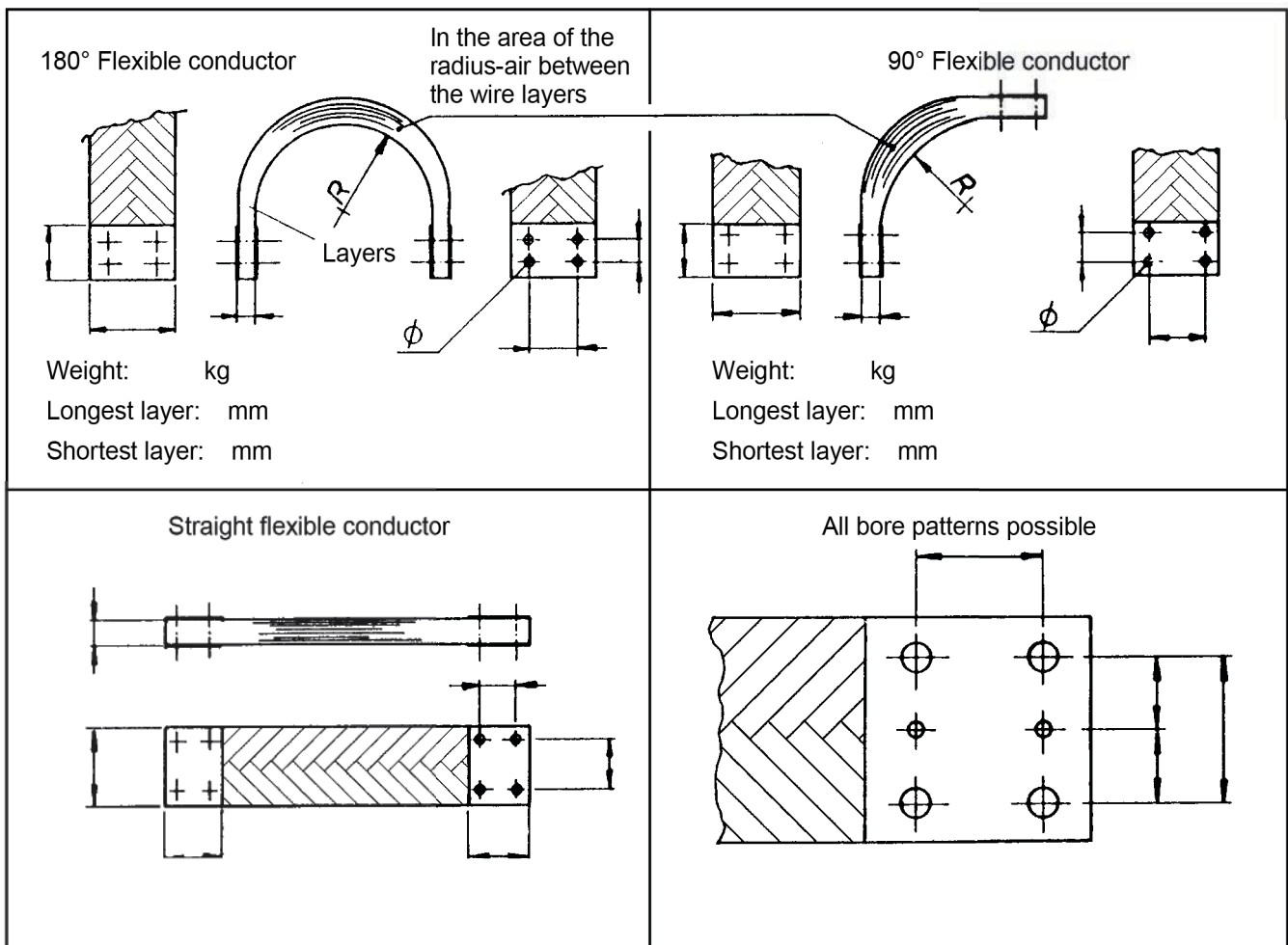


Braided Shunts

Available in all possible designs and dimensions according to customer drawing



Braided shunts are available in all kinds of designs and dimensions. In case a drawing or sample is not available, The below mentioned dimensions can be filled in.



Trade name:		Brocadur® CCZ	Brocadur® CCB	Brocadur® CCNB	Brocadur® BF	Brocadur® NIBE	Brocadur® B20
Chemical composition (in % of weight)	R.W.M.A	Class 2	Class 3	Class 3	Class 3	Class 3	Class 4
	Cr	0.8	-	-	0.4	-	-
	Zr	0.1	-	-	-	-	-
	Co	-	2.0	1.0	-	-	0.4
	Ni	-	-	1.0	2.4	1.7	0.4
	Be	-	0.5	0.5	-	0.3	2.0
	Si	-	-	-	0.7	-	-
	P	-	0.2	-	-	-	-
	Others	max. 0.2	max. 0.2	max. 0.2	max. 0.2	max. 0.2	max. 0.2
	Cu	remainder	remainder	remainder	remainder	remainder	remainder

Mechanical properties (standard values at 20° C):

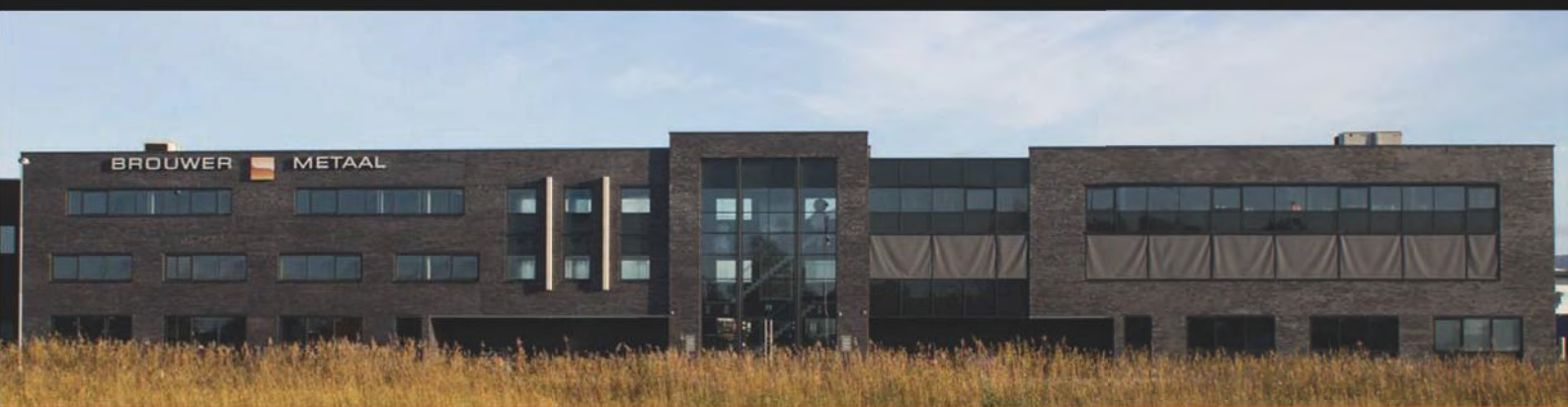
Hardness Brinell	HB 30	135-170	230-260	230-260	180-220	210-250	320-370
Tensile strenght	N/mm²	380-470	720-820	720-820	700-900	700-760	1200-1300
0,2% - yield strenght	N/mm²	320-410	660-740	660-740	490-550	650-700	950-1050
Elongation A 5	%	14-18	10-14	10-14	10-12	10-14	2-5
Modules of elasticity	N/mm²	125 x 10³	135 x 10³	135 x 10³	115 10	135 x 10³	135 x 10³
Softening temperature	°C	500	480	480	480	480	300

Physical properties (Standard values at 20° C):

Specific weight	g/cm³	8.9	8.8	8.8	8.8	8.8	8.3
Thermal conductivity	W/mK	320	250	250	220	290	120
Electrical conductivity	% IACS	80 (47 MS/m)	48 (28 MS/m)	48 (28 MS/m)	48 (28 MS/m)	69 (40 MS/m)	26 (15 MS/m)
Thermal expansion coefficient	20-300C	17.0 x 10⁻⁶/K	17.2 x 10⁻⁶/K	17.2 x 10⁻⁶/K	1 x 10⁻⁶/K	17.2 x 10⁻⁶/K	17.0 x 10⁻⁶/K

Forms of delivery:

Round drawn		o	o	o	o	o	o
Round forged		o	o	o	o	o	o
Flat, square, hexagon drawn		o	o	o	o	o	o
Flat, square forged		o	o	o	o	o	o
Forged plates		o	o	o	o	o	o
Cut from forged round bar / plate		o	o	o	o	o	o
Cut from premachined round bar / plate		o	o	o	o	o	o
Tube		o					



BROUWER  **METAAL**
RESISTANCE WELDING **COPPER ALLOYS**

Brouwer Metaal B.V.

Boylestraat 40 A

6718 XM Ede HOLLAND

Tel. ++31 3184 37001 - Fax: ++31 3184 37722

Email: info@brouwermetaal.com

Internet: www.brouwermetaal.com